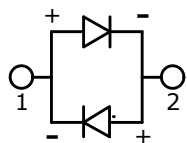


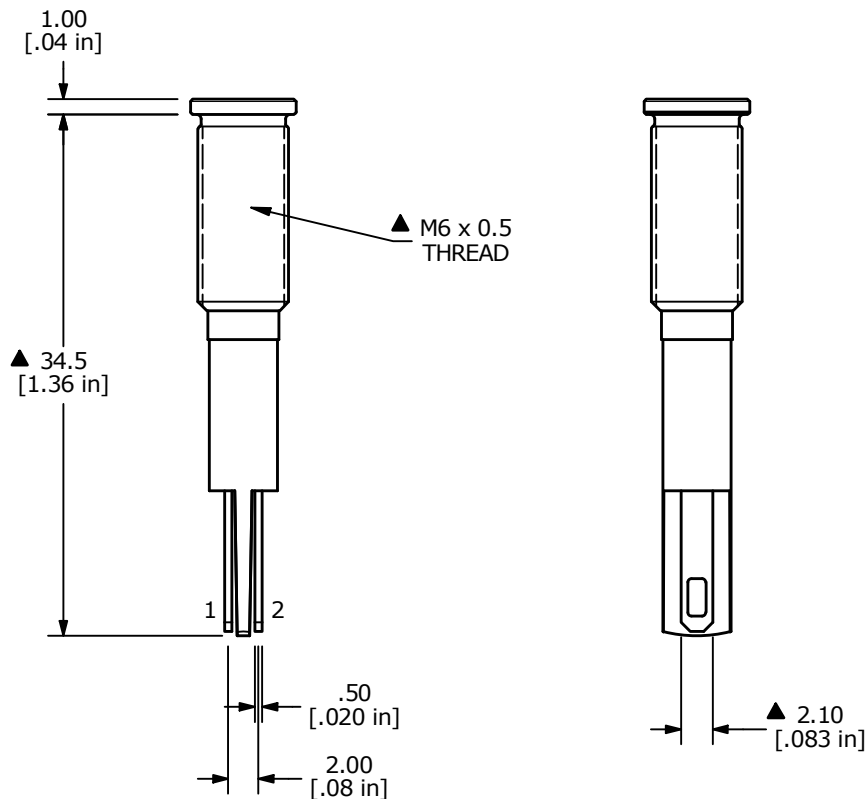
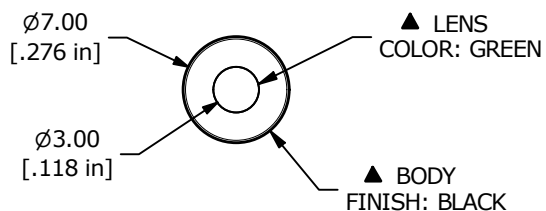
RECOMMENDED
PANEL MOUNTING
1-6mm THICKNESS



LED SCHEMATIC

NOTE:

1. ALL DIMENSIONS IN MM [INCH]
2. GENERAL TOLERANCE: X.X = ± 0.4
X.XX = ± 0.25
3. TERMINAL NUMBERS FOR REF ONLY
4. OPERATING TEMP: -25°C to 55°C
5. CURRENT RATING: 2mA-20mA
- ▲ 6. LAMP VOLTAGE: 2.8V
7. IP RATING: IP67
8. ▲ DENOTES CRITICAL PARAMETER.
9. HARDWARE SUPPLIED: O-RING AND HEXNUT



B	24493	correct body finish	9/16/20	MW
A	22135	New Release	1/27/16	rc
REV	PCR NO	DESCRIPTION	DATE	BY

TITLE PVL06FL131				
SCALE 2:1	DATE 1/27/2016	DR rc	DWG 52-PVL06FL131	REV B

THE INFORMATION CONTAINED IN THIS DOCUMENT IS PROPRIETARY TO E-SWITCH AND IS NOT TO BE COPIED OR TRANSFERRED